

### COOKING SUITE WITH STATIC ELECTRIC OVEN, 2 GAS BURNERS AND COUP DE FEU (WITH ELECTRIC IGNITION)



#### DESCRIPTION

Range for home and professional with cooking top 2 gas burners with power ranging from 5.5 kW up to 7.5 kW with heavy gauge cast iron coup de feu with power 7kW and stainless steel static electric oven. Modulating flame burners, grills in cast iron, removable liquid collectors. Electric ignition. Thermocouple safety valves. Pilot flame ignition on request. Electric static oven GN2/1 (camera 68x55x34h) with 50° □ □ □ □ □ °C control. On request a wide choice of accessories and professional Gastronorm trays tins.

#### FEATURES

##### Costruction

Fabricated using CrNi 18/10 AISI 304 grade Stainless Steel Scotch-Brite, incorporating 2mm thick worktop, rounded edges, rear splash back.

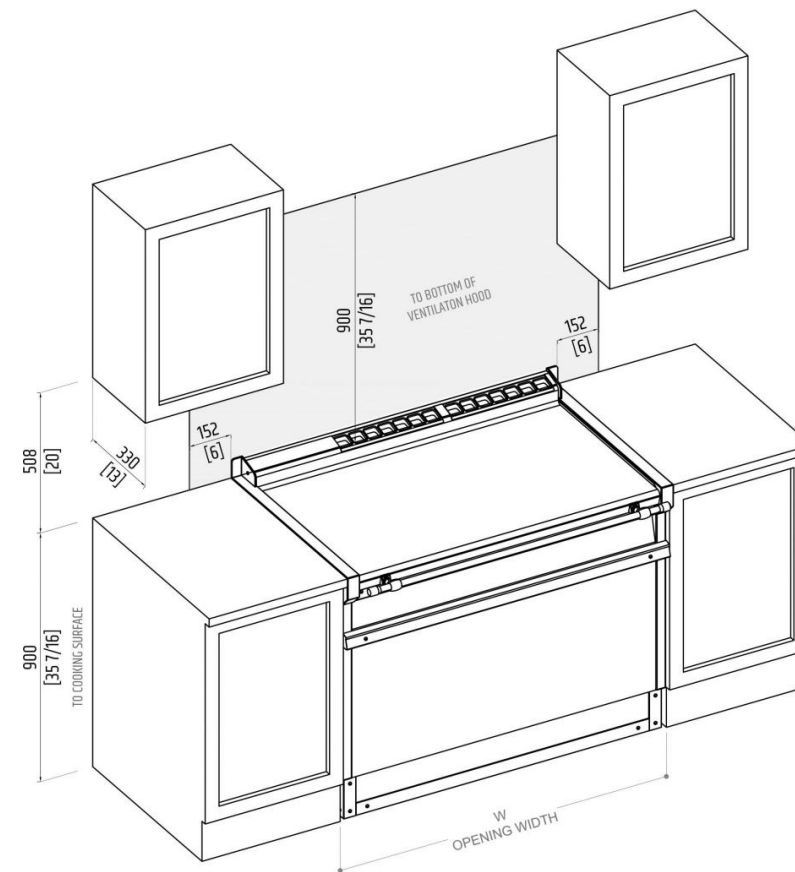
##### Cleaning

All the brushed steel surfaces should be cleaned using degreasing products or products specifically designed to be used on steel and, where necessary, extra-fine steel wool.

#### PLANNING NOTES

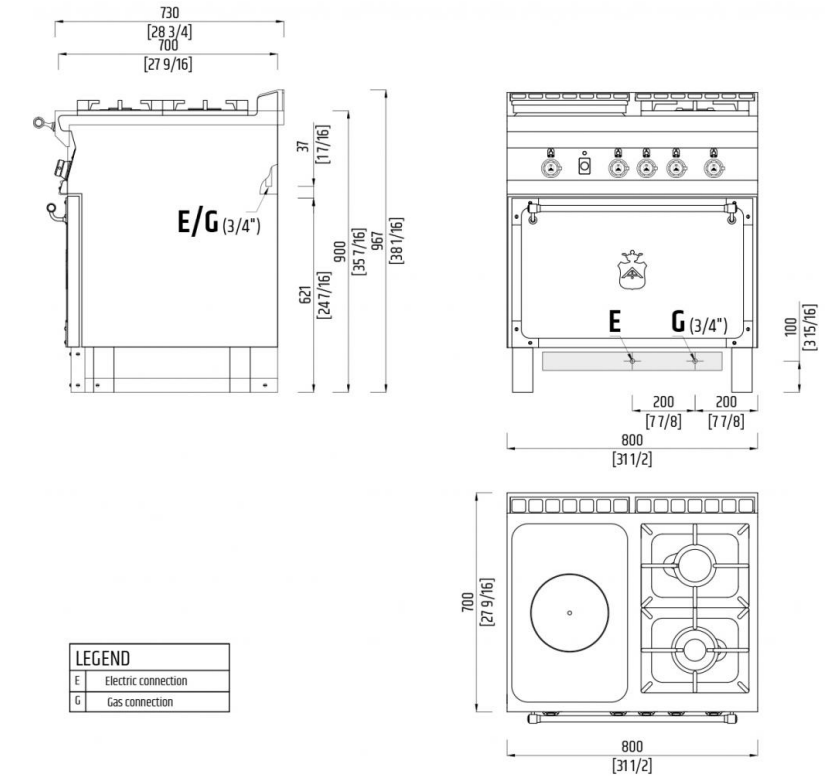
(i) The supply line must be equipped with an approved external gas shut-off valve located near the range in an accessible location. Do not block access to the shut-off valve. (ii) The unit is supplied with a gas regulator for each gas connection, the regulator(s) must be installed under or behind the cabinets adjacent to the Range and never behind or under the range it self. Not doing this will void the product warranty. (iii) If the range is installed between wood cabinet, those must be on legs so that the proper ventilation and air flow is available to the range. (iv) Locate the electrical supply flush with the wall or floor and within the area shown in the illustration. (v) Gas location shown only represents actual connection on the appliance.

#### INSTALLATION SCHEME



NOTE: (i) Shaded area above countertop indicates minimum clearance to combustible surfaces, combustible materials cannot be located within this area. (ii) The furniture that is next to the range cooker must not be placed on the floor but must be lifted by means of feet to allow for aeration.

#### DETAILS



#### TECHNICAL INFO

WIDTH	31 1/2" in
DEPTH	28 3/4" in
HEIGHT	35 7/16" in
MAXIMUM AMP USAGE	21.74 A
PLUG TYPE	Hard wired no cable supplied. Dedicated circuit required.