



30" FIORENTINA HOOD

Officine Gullo extractor hoods are not basic ventilation systems like most mass-produced hoods, but freestanding hand crafted appliances designed to draw in cooking fumes. Painted steel built and finished with brass. Supplied with professional stainless steel, led strip, chromed 4 speeds push-button+light switch+timer, commercial style baffle filters AISI304 with oil collector, remote control

FEATURES

professional stainless steel

led strip

chromed 4 speeds push-button+light

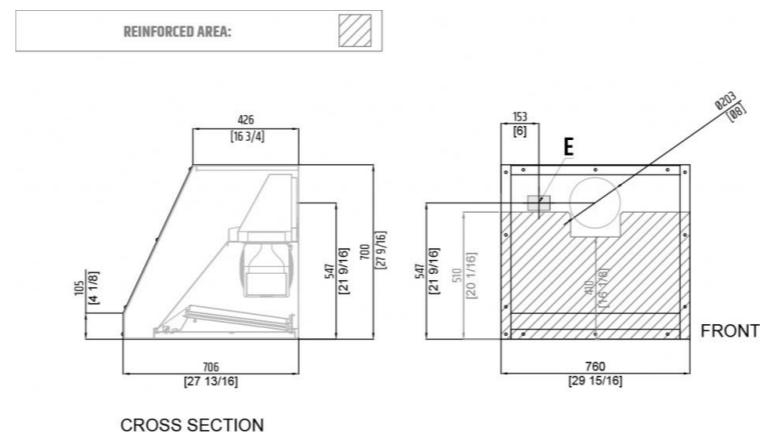
switch+timer

commercial style baffle filters AISI304 with oil collector

remote control

TECHNICAL DRAWINGS

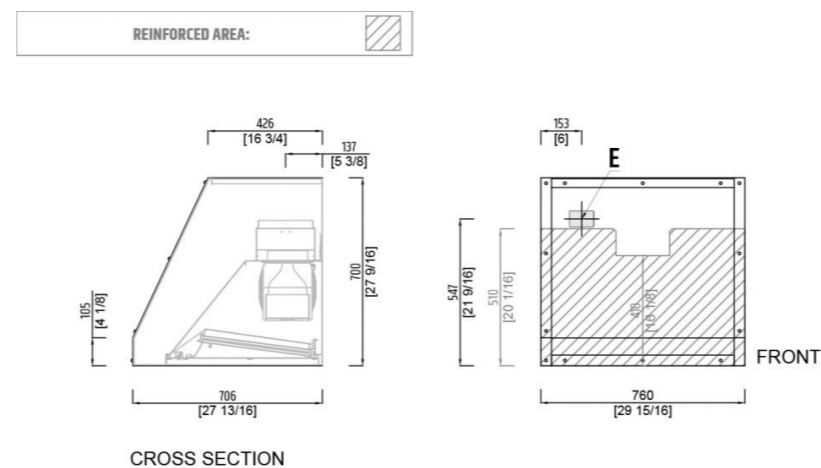
WALL DUCTING



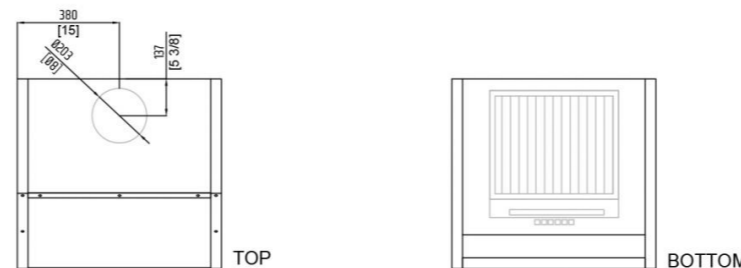
CROSS SECTION



CEILING DUCTING



CROSS SECTION



TECHNICAL INFO

PROFESSIONAL AIR EXHAUSTER

CONTROL PANEL

CONTROL TYPE	4 speed mechanical control + remote control
--------------	---

PERFORMANCES

OUTPUT (CFM)	1 x 500 CFM
SOUND LEVEL (DB)	75 (dB)
MOTOR	Single motor
VENTILATION	wall/ceiling vented or recirculating

FEATURES

FILTER TYPE	Baffle
LIGHTING	Led - 2 x 6.5 W
VENTING DUCT DIAMETER	8" - 203 mm

DIMENSIONS / WEIGHT

OVERALL DIM - WIDTH	29 15/16" - 760 mm
OVERALL DIM - HEIGHT	27 9/16" - 700 mm
OVERALL DIM - DEPTH	27 13/16" - 706 mm
APPROX GROSS WEIGHT	86 Lbs - 39 Kg

POWER RATINGS (115 V, 60 HZ)

WATT / AMPS	437 W / 3.80 A
POWER CABLE	plug not provided

Check with a qualified HVAC contractor and mechanical engineer and or local codes for makeup air requirement. This is important to ensure maximum performance from any ventilation product. All CFMs are based on tests at 0.1 static pressure: without applying static pressure, CFM would be greatly overstated. Straight runs and gradual turns are best; for example, each 90° elbow is equivalent to 5-10 feet (1.52-3.05 cm) of straight run. Never use flexible duct; it creates back pressure/air turbulence and greatly reduces performance. Proper performance is dependent on proper ducting; make sure that a qualified and trained HVAC contractor is used.