



CVCS4E

CVCS6E

CVCS8E

CVS4E

CVS6E

**ELECTRICAL PASTA COOKER FOR
RESIDENTIAL AND PROFESSIONAL USE**

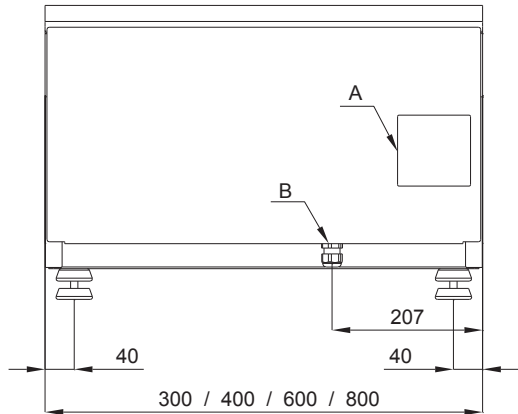
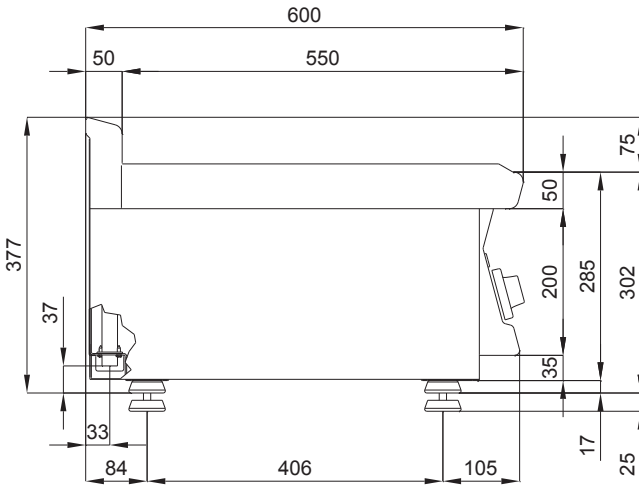
INSTRUCTIONS
for installation and use

CAUTION

1. These safety directions apply to different kinds of appliances. Please identify correctly the specific appliance in your possession (check the tag showing the characteristics).
2. Before using the appliance, read the instruction manual carefully, as it contains important safety information on the proper installation, use and maintenance of the appliance. Please keep the instruction manual for further reference.
3. The appliance's electrical safety is guaranteed only if the electrical system is earthed in accordance with the relevant regulations. It is of the utmost importance to follow such regulations; when in doubt, please consult a qualified electrician to have the electrical system thoroughly checked. The manufacturer declines all responsibility for damage caused by a badly-earthed electrical system
4. Before connecting the appliance, make sure that the appliance's technical characteristics shown on the tag correspond to those of the electrical system and gas distribution network.
5. Make sure that the electrical system and sockets can handle the appliance's maximum power consumption as shown on the tag. When in doubt, please consult a qualified electrician.
6. The appliance should be connected to the electric supply line by means of an omnipolar switch with a minimum contact opening of 3 mm
7. If the power socket is not compatible with the plug, replace the socket with a proper one and consult a qualified electrician to make sure that the cable size can handle the appliance's maximum power consumption. The use of adapters, multiple power boards and extension cords is not recommended.
8. When not in use, switch off the general power supply to the appliance and close the gas supply valve.
9. Do not obstruct the appliance's cooling or heat dissipation vents.
10. In case of damage to the appliance's power cord, it must be replaced exclusively by the manufacturer's authorized service center.
11. The appliance must be used only for the purposes for which it has been expressly designed (cooking). All other uses (such as the heating of a room) are considered inappropriate and therefore dangerous. The manufacturer declines all responsibility for damage resulting from improper use of the appliance.
12. The use of any electric appliance implies the observance of some basic rules. More specifically:
 - A. Do not touch the appliance with wet or damp hands or feet;
 - B. Do not use the appliance with bare feet;
 - C. Avoid the use of extension cords and, if necessary, take all precautions;
 - D. Do not pull the power cord to disconnect the plug from the power socket;
 - E. Do not leave the appliance exposed to atmospheric agents (rain, sun, etc.);
 - F. Do not allow children or untrained persons to use the appliance.
13. Before cleaning the appliance or performing maintenance work, disconnect the appliance by pulling the plug out of the power socket or turning off the main switch.
14. In case of failure or malfunction, turn the appliance off, close the gas supply valve and do not attempt to carry out any repairs, which must be done exclusively by an authorized service center.

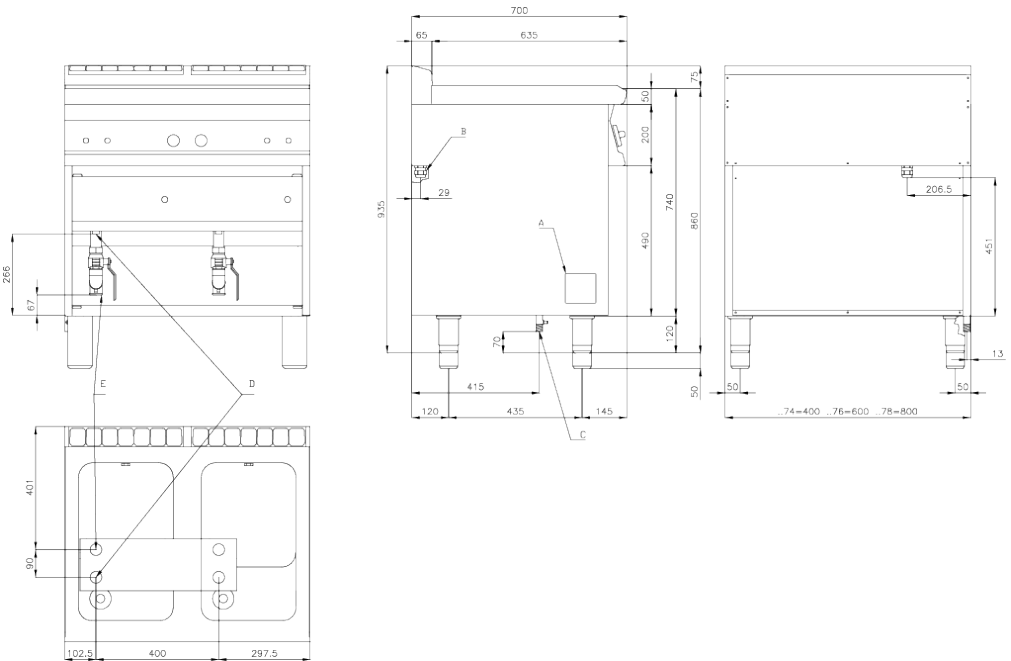
Request the use of original spare parts only. Failure to comply with the above recommendations may compromise the appliance's safety

FIG.A
TOP



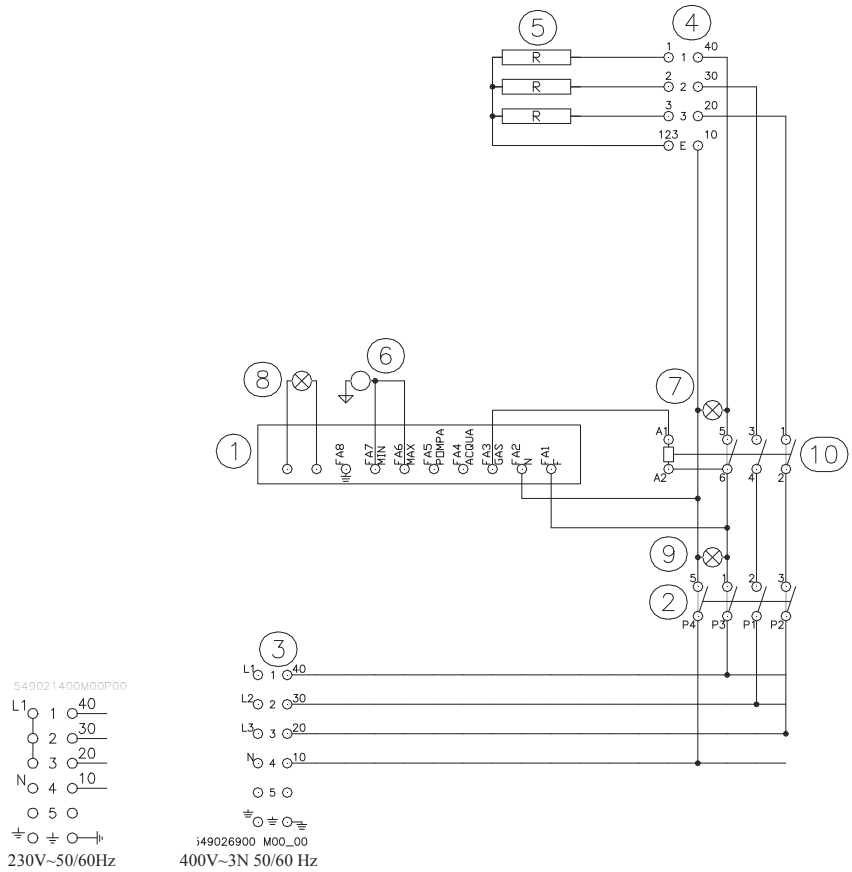
- A.** Data Plate
- B.** Electrical connection

FIG.B
CVCS4E - CVCS8E



- A.** Data Plate
- B.** Electrical connection
- D.** Water connection R 1/2GM
- E.** Water drainage R 1GF

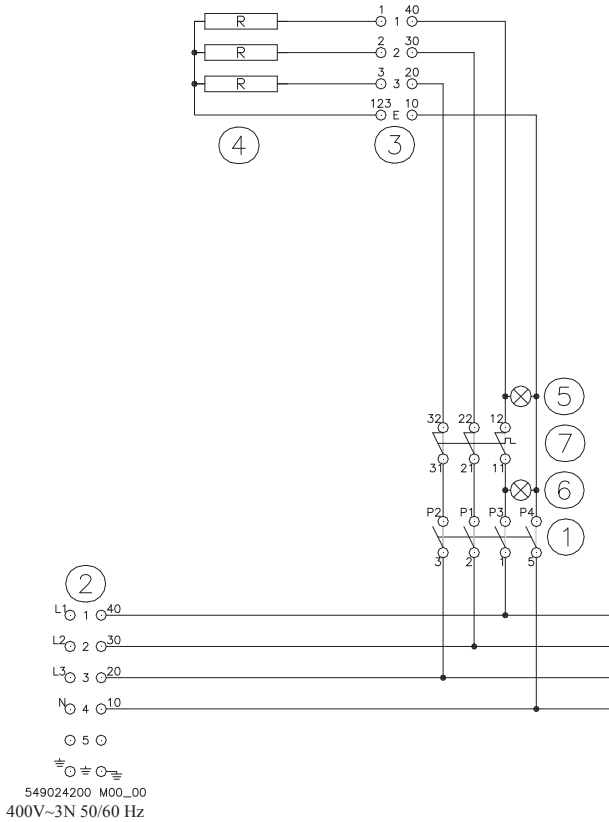
FIG.D
WIRING DIAGRAM CVS4E - CVS6E



- | | |
|-----------------------------|---------------------------|
| 1. Water safety unit | 7. White pilot light |
| 2. Commutator | 8. Red warning light |
| 3. Power terminal block | 9. Green pilot light |
| 4. Switching terminal block | 10. Remote control switch |
| 5. Elements | |
| 6. Level Probe | |

FIG. E

WIRING DIAGRAM CVCS6E - CVCS4E - CVCS8E



1. Commutator
2. Power terminal block
3. Switching terminal block
4. Elements
5. White pilot light
6. Green pilot light
7. Safety Thermostat

MOD.	JUNCTION BOX
CVCS6E CVCS4E	FIG. E
CVCS8E	FIG. E + FIG.E

INDEX

TECHNICAL ELECTRICAL DATA TABLE.....	10
TRANSFORMATION.....	10
WATER SUPPLY CHARACTERISTICS	10
INSTRUCTIONS FOR INSTALLATION.....	10
LAWS, TECHNICAL RULES AND NORMS.....	10
INSTALLATION	10
ELECTRIC CONNECTION	11
EQUIPOTENTIAL.....	11
STARTING UP.....	11
INSTRUCTIONS FOR USE.....	11
TURNING ON	12
EMPTYNG THE TUB CVS4E - CVS6E.....	12
EMPTYNG THE TUB CVSC4E - CVSC6E - CVSC8E	12
ANOMALIES.....	12
CLEANING AND MAINTENANCE.....	12
Cleaning burnished brass surfaces.....	13
Cleaning chromium-plated brass surfaces	13
Cleaning satin finish nickel-plated brass surfaces	13
Cleaning the varnished surfaces.....	13
Cleaning brushed steel surfaces.....	13
PROCEDURE TO FOLLOW IF THE APPLIANCE IS NOT GOING TO BE USED FOR SOME TIME	14
WHAT TO DO IN THE EVENT OF A BREAKDOWN	14
MAINTENANCE (ONLY FOR QUALIFIED PERSONNEL)	14
ACCESSIBILITY	14

TECHNICAL ELECTRICAL DATA TABLE

MODELS	DIMENSIONS cm	POWER SUPPLY	Power max kW	Absorbition max A	Power supply cable (Silicon)
CVS4E	40 x 70 x 29h	400Vac3N 50/60 Hz	5	7,25	5 x 1 mm ²
CVCS4E	40 x 70 x 90h	400Vac3N 50/60 Hz	7,8	11,3	5 x 1,5 mm ²
CVS6E	60 x 70 x 29h	400Vac3N 50/60 Hz	7,5	10,87	5 x 1,5 mm ²
CVCS6E	60 x 70 x 90h	400Vac3N 50/60 Hz	13,5	19,48	5 x 2,5 mm ²
CVCS8E	80 x 70 x 90h	400Vac3N 50/60 Hz	15,6	22,61	5 x 2,5 mm ²

TRANSFORMATION

MODELS	DIMENSIONS cm	POWER SUPPLY	Power max kW	Absorbition max A	Power supply cable (Silicon)
CVS4E	40 x 70 x 29h	230Vac3N 50/60 Hz	5	21,74	3 x 2,5 mm ²

WATER SUPPLY CHARACTERISTICS

The system must be connected to a drinking water supply with the following characteristics. Failure to do so automatically **invalidates the guarantee**.

- Total hardness: 0,5 to 5°F to prevent the build-up of lime-scale
- Pressure: 50 to 250 kPa (0,5-2,5 bar).
- Chlorine ion concentration (Cl⁻): not more than 10 ppm (acceptable value) to avoid damaging the internal steel elements
- pH: over 7
- Electrical conductivity: 50 to 2000 μS/cm (20°C)

INSTRUCTIONS FOR INSTALLATION

The data plate is on the side (see diagram in electric connection item) and has all the data necessary for the connection.

LAWS, TECHNICAL RULES AND NORMS

Installation must be carried out observing the following norms:

- Safety prescription in force
- Installation prescription in force

INSTALLATION

When fitting, the appliance must be levelled using a spirit level; slight differences of level can be adjusted by screwing or unscrewing the adjustable feet. The main switch or the socket must be near the appliance and easily accessible. It is advisable to place the appliance under an extractor hood so that steam is extracted rapidly. If the appliance is placed near walls, dividing panels, kitchen furniture, decorative finishing, etc. , these should be in flameproof material; otherwise it is necessary to cover them with non-flammable material.

Above all, it is necessary to ensure that the fire prevention norms are observed.

The installation, starting up and maintenance of the appliance must be carried out by qualified personnel. All operations done when installing must be carried out observing the norms in force. The manufacturer declines all responsibility in the event of incorrect functioning due to wrong installation or installation which does not comply with the norms.

Attention! In accordance with international rules, when connecting the appliance, an automatic device enabling the disconnection of all contacts from the mains, must be installed above it, this device must have a contacts opening of at least 3 mm.

ELECTRIC CONNECTION

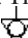
The appliance is supplied without the connection cable.

To install the power supply cable, proceed as follows:

- Disconnect the power supply.
- Remove the bottom panel.
- Push the connection cable through the cable blocker, connect the conductor wires to the corresponding terminals in the junction box and fix them into place.
- Block the cable with the cable blocker, and reassemble the front panel. The earth wire must be longer than the others so that if the cable blocker should break, it will disconnect after the tension wires.

N.B. The connection cable must have an adequate section for the power of the appliance and be resistant to a temperature of at least 150°C (see technical data table).

EQUIPOTENTIAL

The appliance must be connected to an equipotential system. The connection screw is positioned at the back of the appliance and is identified by the symbol .

Attention: The manufacturer will neither be held responsible for, nor will give any compensation during the guarantee period for any damage caused, and which is due to inadequate installations not compliant with the instructions.

STARTING UP

Before using the appliance for the first frying, it is necessary to clean it carefully, especially the water tub (see paragraph “cleaning and care”).

Check the connection of the appliance and start it up following the instructions.

INSTRUCTIONS FOR USE

Use the appliance only under surveillance.

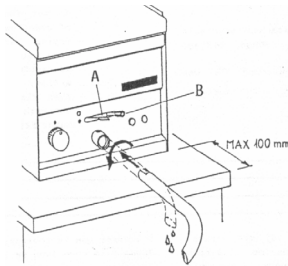
- **Never start up the appliance without water.**

With pasta cookers it is possible to cook pasta, vegetables, rice, eggs, legumes, etc.


TURNING ON

Check that the water drainage tap is turned off.

- 1) When powering the device, the red light flashes briefly for about ½ second.
- 2) In the absence of water in the tank the red light keeps flashing.
- 3) Turn on the tap to load the tank to the desired level, which must be higher than the minimum level probe and do not exceed the maximum level, which is marked on the tank by the symbol (--)
- 4) Switch on the main switch installed above the appliance. Turn the control knob corresponding to the hotplate from position “0” to the degree of coking desired, between 1 and 4. The white light shows that the heating element is working. To turn off the appliance, turn the knob into position “0”.



EMPTYING THE TUB CVS4E - CVS6E

The user should be equipped with a suitable container for the drained water. Insert the outlet pipe as shown on the drawing and place the container in position. Push the safety device (A) upwards and move lever (B) to the symbol .

Important: pay attention to the clearance between the appliance and the edges of the stands.

EMPTYING THE TUB CVSC4E - CVSC6E - CVSC8E

To carry out this operation, it is necessary to open the outlet tap (lever in vertical position) which can only be reached through the cabinet door situated below the appliance.

ANOMALIES

If the probe does not detect the presence of water in the tank for more than 15 sec. the system disables the heating element: the alarm is indicated by a flashing red light.

When the probe returns to detect the presence of water, the heating element is activated and the red light is turned off.

NOTE: the filling phase is monitored by the system through the TIME-OUT.

CLEANING AND MAINTENANCE

Attention! During cleaning, do not wash the external parts of the appliance with direct sprays of water or with high pressure.

After every use, clean the appliance thoroughly. Daily cleaning after switching off the appliance ensures the perfect functioning and long life of the appliance.

Before starting to clean the appliance, disconnect the power supply. The parts in steel must be washed with hot water and neutral detergent, then rinsed thoroughly in order to eliminate all traces of detergent; after which, dried with a dry cloth.

Do not use abrasive or corrosive detergents.

Important: As well as ordinary cleaning and maintenance, it is advisable to have the installation checked by an installer at least once a year.
It is therefore suggested to draw up an after-sales assistance contract.

CLEANING BURNISHED BRASS SURFACES

No synthetic protective varnishes have been used to obtain the special burnishing effect on the burnished brass details in order to avoid spoiling the beauty of the brass with an artificial patina. The antique finish of the surface is the result of natural oxidation that has simply been accelerated. All the natural antique finish brass surfaces can be cleaned with any kitchen degreasing detergent, accompanied by the use of an abrasive scouring pad (the green colored type used for washing dishes). It is recommended that the metal be rubbed, uniformly applying light pressure, until the desired effect is achieved.

The brass details should then be dried.

Do not use polish as this is suitable for maintaining the gloss but not the antique finish and could result in an effect that is not compliant with our products. Any spots that may appear over time on the burnished brass surfaces should be considered as a desirable and particular characteristic of our craft metal working processes.

CLEANING CHROMIUM-PLATED BRASS SURFACES

No synthetic varnishes have been used to obtain the special polish on the chromium-plated brass details in order to avoid spoiling the beauty of the chromium plating with an artificial patina. All the chromium-plated surfaces should be cleaned, where necessary, with a soft, possibly micro-fiber cloth, combined with metal polishing products, if required. Do not use abrasive pads.

CLEANING SATIN FINISH NICKEL-PLATED BRASS SURFACES

No synthetic varnishes have been used to obtain the special nickel-plating on the satin finish nickel-plated brass details in order to avoid spoiling the beauty of the nickel-plated, satin finished solid brass with an artificial patina. All the nickel-plated and satin finished brass surfaces should be cleaned, where necessary, with a soft, possibly micro-fiber cloth, combined with a neutral detergent, if required. Do not use abrasive pads.

CLEANING THE VARNISHED SURFACES

All the varnished surfaces should be cleaned using a neutral detergent and, where necessary, a soft, possibly micro-fiber cloth. Do not use abrasive pads or any other chemical products.

CLEANING BRUSHED STEEL SURFACES

All the brushed steel surfaces should be cleaned using degreasing products or products specifically designed to be used on steel and, where necessary, extra-fine steel wool or extra-thin sandpaper.

PROCEDURE TO FOLLOW IF THE APPLIANCE IS NOT GOING TO BE USED FOR SOME TIME

Clean and dry the appliance carefully according to the instructions. Disconnect the power supply.

WHAT TO DO IN THE EVENT OF A BREAKDOWN

In the event of breakdown, turn off the appliance, disconnect the power supply by using the device situated above the appliance and notify the after sales service.

MAINTENANCE (ONLY FOR QUALIFIED PERSONNEL)

Any kind of maintenance must only be done by qualified personnel. Before carrying out maintenance, remove the plug or switch off the switch above the appliance.

ACCESSIBILITY

To get to the junction box, remove the back of the appliance. The control elements are reached from the front control panel; unscrew the black cap of the water outlet lever, unscrew the fixing screws from the control panel and remove it.



en
INTERNATIONAL
V 2.1 - 9.17

OFFICINE GULLO S.R.L.: via della Torricella 29, 50012 Antella - Bagno a Ripoli (FI)

Tel. +39 055 6560324 / 621807 - Fax + 39 055 620670 - info@officinegullo.com

WWW.OFFICINEGULLO.COM