

COOKING SUITE WITH STATIC ELECTRIC OVEN AND 4 PLATES CERAMIC GLASS 80CM



DESCRIPTION

Range for home and professional use with cooking top 4 glassceramic zones and stainless steel static electric oven. Electric static oven GN2/1 (camera 68x55x34h) with 50° □□□□□□°C control. On request a wide choice of accessories and professional Gastronorm trays tins.

FEATURES

Construction

Fabricated using CrNi 18/10 AISI 304 grade Stainless Steel Scotch-Brite, incorporating 2mm thick worktop, rounded edges, rear splash back.

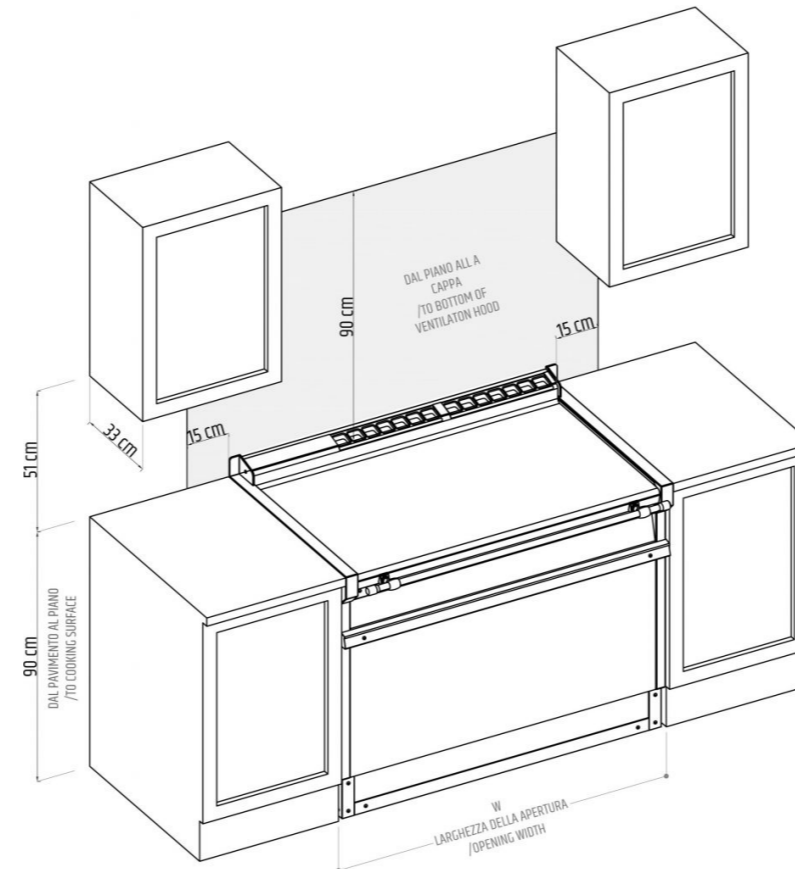
Cleaning

All the brushed steel surfaces should be cleaned using degreasing products or products specifically designed to be used on steel and, where necessary, extra-fine steel wool.

PLANNING NOTES

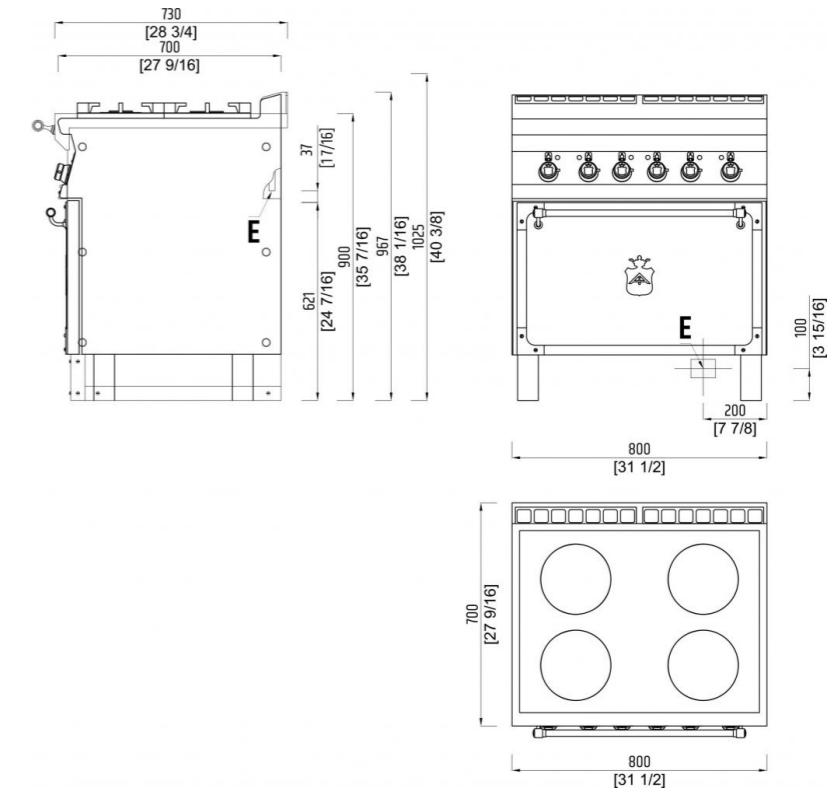
(i) If the range is installed between wood cabinet, those must be on legs so that the proper ventilation and air flow is available to the range. (ii) Locate the electrical supply flush with the wall or floor and within the area shown in the illustration above.

INSTALLATION SCHEME



NOTE: Shaded area above countertop indicates minimum clearance to combustible surfaces, combustible materials cannot be located within this area.

DETAILS



TECHNICAL INFO

WIDTH	31 1/2" in
DEPTH	28 3/4" in
HEIGHT	35 7/16" in
MAXIMUM AMP USAGE	32.61 A+32.61 A
VOLTAGE (V)	[208/240 V]
FREQUENCY (HZ)	HZ: 50/60
PLUG TYPE	Hard wired no cable supplied. Dedicated circuit required./Nessun cavo fornito in dotazione. Circuito dedicato richiesto.