

ELECTRIC BARBECUE 40 CM



DESCRIPTION

As powerful and high performing. Electric grill for professional and home use. Equipped with a special smokeless, adjustable and reclining grill and a drip-tray to collect the cooking juices.

FEATURES

Costruction

Fabricated using CrNi 18/10 AISI 304 grade Stainless Steel Scotch-Brite, incorporating 2mm thick worktop, rounded edges, rear splash back.

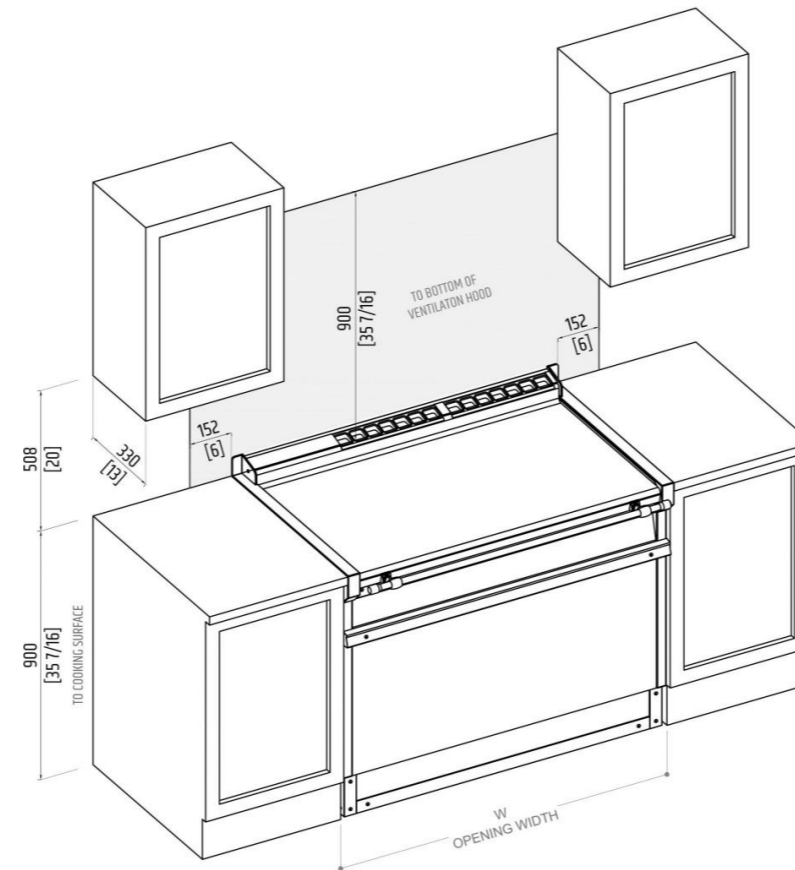
Cleaning

All the brushed steel surfaces should be cleaned using degreasing products or products specifically designed to be used on steel and, where necessary, extra-fine steel wool.

PLANNING NOTES

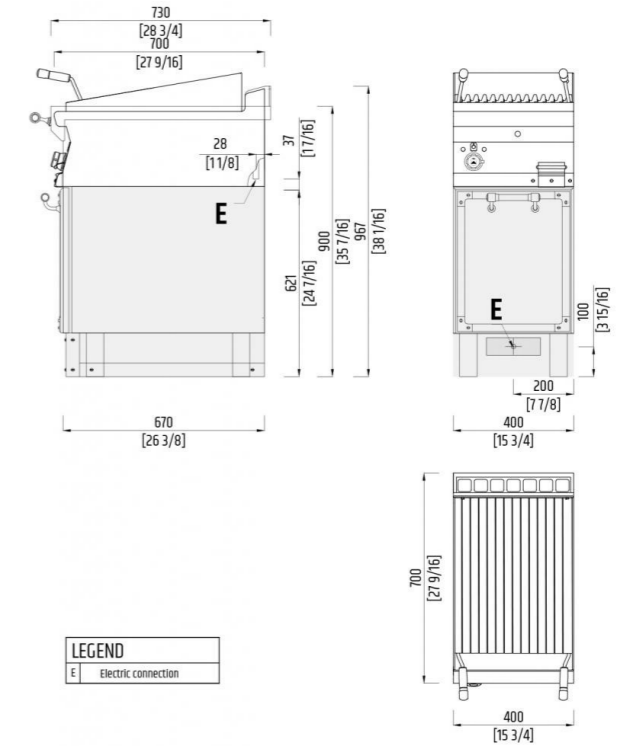
(i) If the range is installed between wood cabinet, those must be on legs so that the proper ventilation and air flow is available to the range. (ii) Locate the electrical supply flush with the wall or floor and within the area shown in the illustration.

INSTALLATION SCHEME



NOTE: (i) Shaded area above countertop indicates minimum clearance to combustible surfaces, combustible materials cannot be located within this area. (ii) The furniture that is next to the range cooker must not be placed on the floor but must be lifted by means of feet to allow for aeration.

DETAILS



LEGEND
E Electric connection

TECHNICAL INFO

WIDTH	15 3/4" in
DEPTH	28 3/4" in
MAXIMUM AMP USAGE	26.1 A
PLUG TYPE	Hard wired no cable supplied. Dedicated circuit required.