

WINE CELLAR



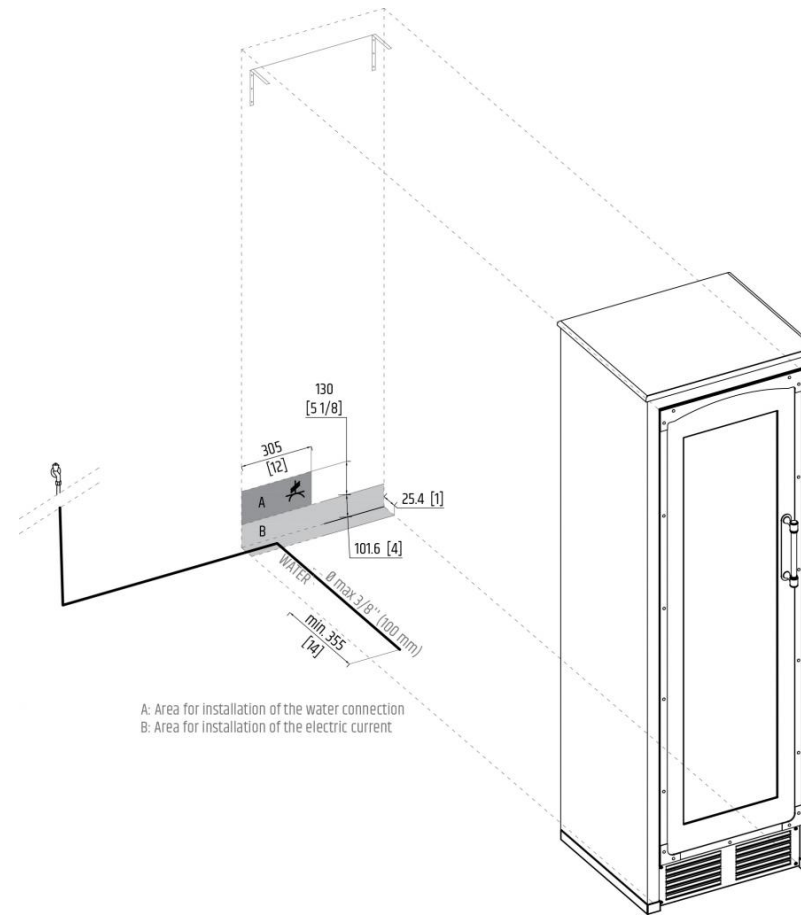
DESCRIPTION

The built-in wine cellar offers fully integrated, with glass door, Two individual temperature zones, both continuously variable Consistant temperatures, adjustable from 41 °F to 64 °F (+5 °C to 18 °C). Humidity control. Stainless steel interior. Fully extendable bottle trays in beech and aluminum. Presentation light option. Low-vibration operation. Capacity 99 bottles. Electronic precision temperature control with digital temperature display. Dynamic cool air distribution with Multi- Flow Air System. Automatic defrosting with defrost water evaporation. Activated charcoal air filter. UV-protection. Energy-saving vacation mode. Open-door and malfunction warning system. Gaggenau mechanism.

FEATURES

Dynamic cool air distribution with Multi- Flow Air System. Automatic defrosting with defrost water evaporation. Activated charcoal air filter. UV-protection. Energy-saving vacation mode. Open-door and malfunction warning system. Net volume 13.7 cu. ft. (389 liters) Capacity 99 bottles (based on standard bottles). 10 fully extendable bottle trays, up to four can store magnum bottles. Space for max. 13 bottle trays or aluminum shelves Interior lighting with 2 ceiling spots in the upper and 1 ceiling spot in the lower climate zone, can be used as display light.

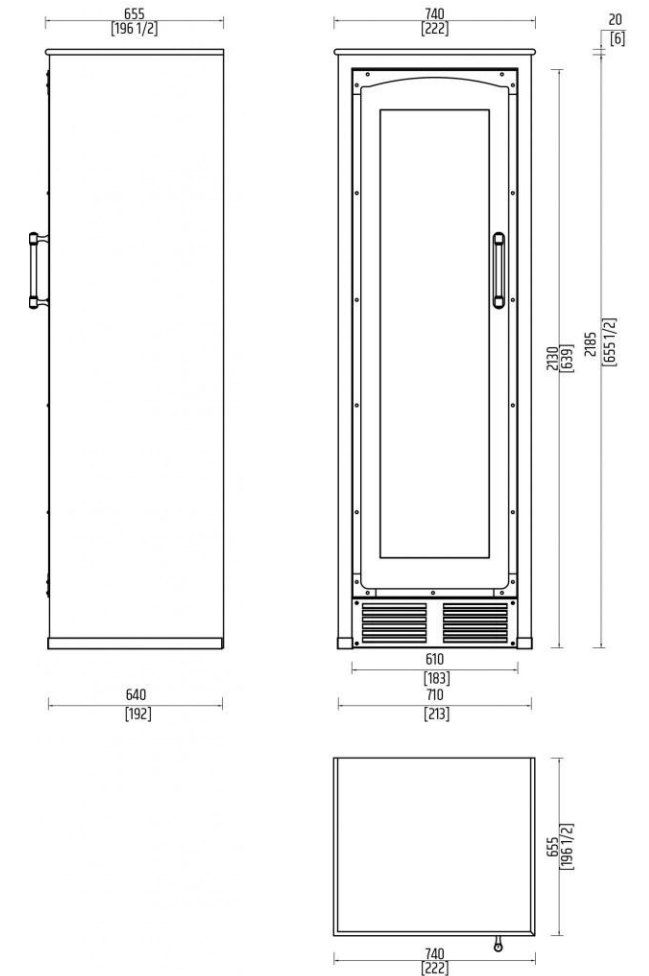
INSTALLATION



PLANNING NOTES

Flat hinge. Door hinge right, reversible. Door opening angle of 115°, optional 90° door stop. Max. door panel weight 158 lb.

TECHNICAL DRAWINGS AND CONNECTIONS



TECHNICAL INFO

WIDTH	27 15/16" in
DEPTH	25 3/6" in
HEIGHT	86" in
VOLTAGE	[120 V]
FREQUENCY	Hz. 60
PLUG TYPE	wired with plug-120V - 3 prong
NOISE LEVEL	43
REFRIGERATOR NET CAPACITY	13.7 cu. ft.
REVERSIBLE DOOR	X