

REFRIGERATOR



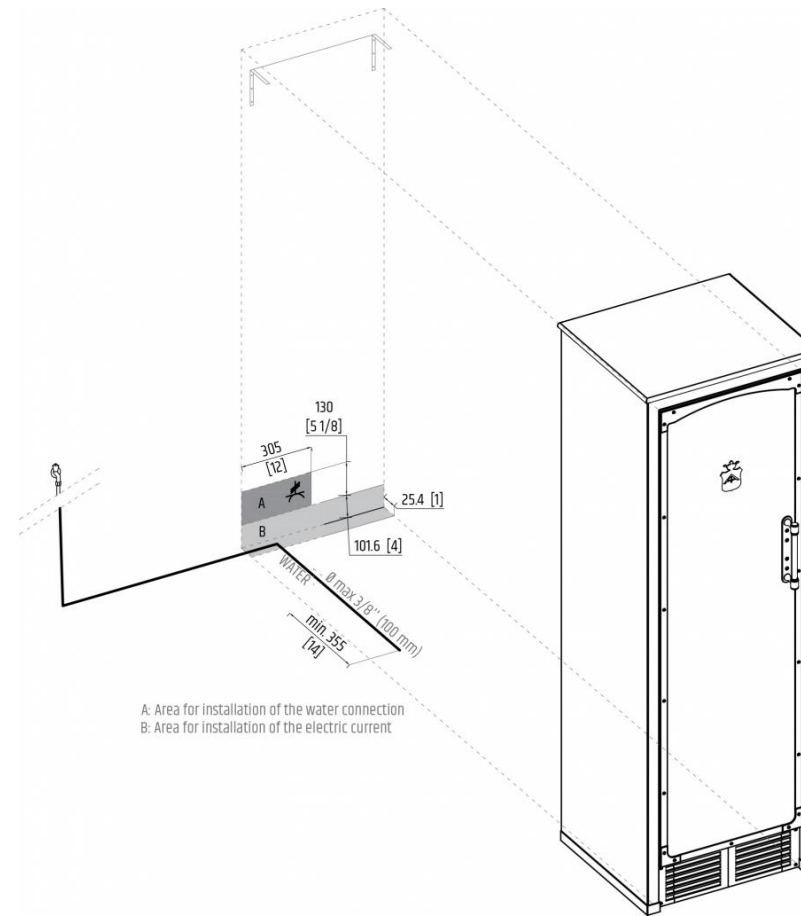
DESCRIPTION

The built-in refrigerator offers stainless steel interior, Generous LED lighting concept, Solid aluminum door bins, Net volume 13.2 cu.ft. Temperature controlled drawer (32 °F to 37 °F), One motorized glass shelf, adjustable when fully loaded. Electronic precision temperature control with digital temperature display. Dynamic cool air distribution with Multi- Flow Air system. Automatic defrosting with defrost water evaporation. Activated charcoal air filter. Energy-saving vacation mode. Open-door and malfunction warning system. ENERGY STAR® qualified. Gaggenau mechanism.

FEATURES

Cooling compartment: Net volume 13.2 cu.ft. (323 liters). No-frost technology with fast cooling. Temperature adjustable from 35 °F to 46 °F (+2 °C to +8 °C). 4 safety glass shelves (one is motorized, two are manually adjustable). 2 fully extendable drawers (low and high) with transparent front. Bright interior lighting with LED sidewall pillars. 3 height adjustable door bins, one of which is a large gallon door bin. 1 door bin with transparent front flap. Temperature controlled drawer: Net volume 0.9 cu. ft. Separate automatic temperature control with settings for fish (32°F), meat (35°F) and produce (37°F). 1 continuous, fully-extendable temperature controlled drawer with transparent front and integrated lighting.

INSTALLATION



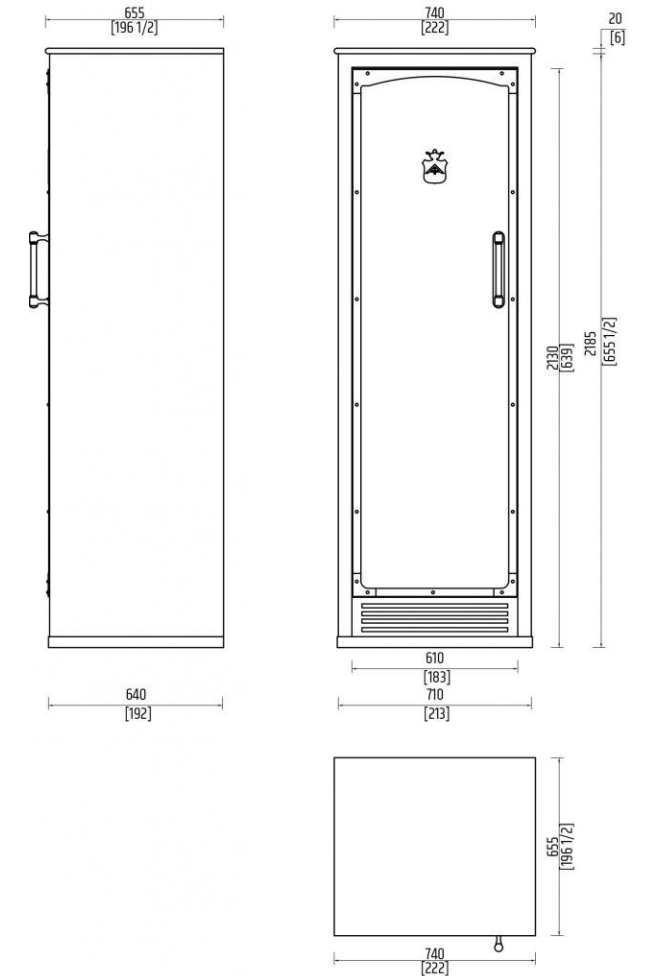
test: [https://www.officinegullo.com/wp-](https://www.officinegullo.com/wp-content/uploads/FRS001_INSTALLATION-3-904x1024.jpeg)

[content/uploads/FRS001_INSTALLATION-3-904x1024.jpeg](https://www.officinegullo.com/wp-content/uploads/FRS001_INSTALLATION-3-904x1024.jpeg)

PLANNING NOTES

Flat hinge. Door hinge right, reversible. Door opening angle of 115°, optional 90° door stop. Max. door panel weight 77 lb.

TECHNICAL DRAWINGS AND CONNECTIONS



TECHNICAL INFO

WIDTH	27 15/16" in
DEPTH	25 3/6" in
HEIGHT	86" in
VOLTAGE	[120 V]
FREQUENCY	Hz: 60
PLUG TYPE	wired with plug.
NOISE LEVEL	39
REFRIGERATOR NET CAPACITY	13.2 cu.ft.
REVERSIBLE DOOR	X