

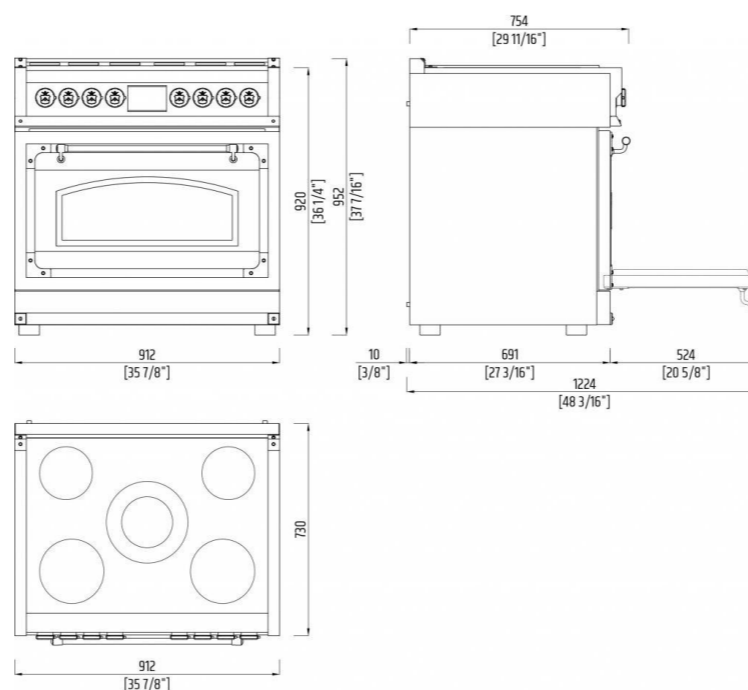
Fiorentina 36" INDUCTION PRO LINE RANGE- Window



DESCRIPTION

Fiorentina 36" INDUCTION PRO LINE RANGE - Window With induction 5 zone cooktop and multi-function electric oven. Induction cooktop: Large pans receive full power for capacity and consistent heat distribution while cooking. The 11" Dual Induction Zone offers a fifth burner for any size pan at any power level for ultimate flexibility. Oven: Self-cleaning convection oven with multiple baking functions allow for ultimate flexibility, performance and capacity. Telescopic chrome oven racks allow for convenient inspection of dishes during cooking and effortless removal when done.

DETAILS



FEATURES

COOKTOP FEATURES	OVEN FEATURES
<ul style="list-style-type: none"> POT DETECTION SYSTEM MELTING FUNCTION 113°F / 45°C DIGITAL DISPLAY FOR POWER LEVEL FAILURE CODES INDICATION COOLING FAN SYSTEM CHILD LOCK FUNCTION KNOB FOR POWER SETTING RESIDUAL HEAT INDICATION SIMMERING FUNCTION 158°F / 70°C BOOSTER/FAST BOIL FUNCTION FOR EACH ZONE POWER LEVELS: 1 TO 9 HEAT UP TIME AUTOMATIC DIGITAL MINUTE MINDER COOKING ZONES: 5 	<ul style="list-style-type: none"> ELECTRIC SELF-CLEAN - DUAL CONVECTION (TRUE EURO CONV.) ELECTRONIC CONTROL (MIN/MAX 170/550°F - 75/290°C) PYROLYTIC SELF-CLEAN TRUE CONVECTION CONVECTION BROIL CONVECTION ROAST PIZZA (LOWER CONVECTION) BAKE DEHYDRATE THAW (DEROST) PROOF (WARM) KEEP WARM (WARM PLUS) BROIL OVEN LIGHTS PRESET/LAST USED TEMPERATURE MEMORY CHILD DOOR LOCK FAST PREHEAT SABBATH MODE MEAT PROBE PREHEAT INDICATOR (25%, 50%, 75%, 100%) CONTROL DISPLAY LOCK 12/24 HOUR CLOCK FORMATS TEMPERATURE DISPLAY °C/°F

TECHNICAL INFO

CONTROL TYPE	8 Heavy Duty Knobs
OVEN PROGRAMMING	Electronic with 6 Touch Keys
COOKING ZONES	5 Zone
COOKTOP TYPE	INDUCTION/Ceramic Glass
COOKTOP POWER	<ul style="list-style-type: none"> Burners types (Front-L) - Power (Max/Booster) - Inductor 9" (230 mm) 2300W / 3700W Burners types (Rear-L) - Power (Max/Booster) - Inductor 7 - 3/4" (200 mm) 1850W / 3000W Burners types (Center dual circuit) - Power (Max/Booster) - Inductor 11" (280 mm) 3000W / 5500W Burners types (Center single circuit) - Power (Max/Booster) - Inductor 7 - 3/4" (200 mm) 1850W / 2600W Burners types (Front-R) - Power (Max/Booster) - Inductor 9" (230 mm) 2300W / 3700W Burners types (Rear-R) - Power (Max/Booster) - Inductor 7 - 3/4" (200 mm) 1850W / 3000W
OVEN USABLE CAPACITY	4.9 cbft
ELECTRIC CONNECTION RATING (KW)	12kW /10kW
TENSIONE - VOLTAGE (V)	[120/240 V]/[120/208 V]
FREQUENZA (HZ) - FREQUENCY (HZ)	Hz: 60
TIPO DI SPIMA - PLUG TYPE	Nema 14-50P