

GAS PASTA COOKER 60 CM ON CABINET



DESCRIPTION

Electric pasta cooker for home and professional use with large capacity. Equipped with front drain tap and perforated stainless steel basket. Equipped with single tank GN1/1. Baskets come in various sizes and styles on request, in order to allow simultaneous cooking of different types of pasta. The stainless steel tank, and the drain valve for drainage of cooking water, simplify cleaning operations. Electric ignition, pilot light. Thermocouple safety valves. Security in bowl by water presence sensor. Equipped with tap for water handling, spillway and floor drain. Ideal for the cooking of legumes, rice, eggs and vegetables. Officine Gullo offers you the chance to choose between the pasta cooker, the most commonly used tool, the steamer, excellent for cooking fish and vegetables, and the bain-marie, to cook food gently and indirectly.

FEATURES

Costruction

Fabricated using CrNi 18/10 AISI 304 grade Stainless Steel Scotch-Brite, incorporating 2mm thick worktop, rounded edges, rear splash back.

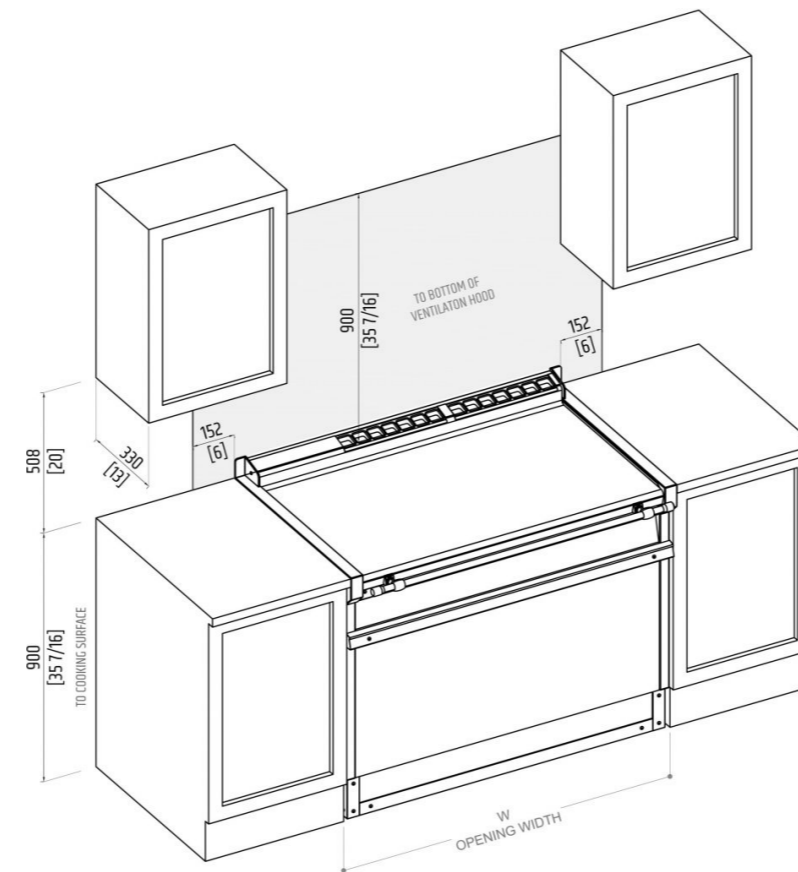
Cleaning

All the brushed steel surfaces should be cleaned using degreasing products or products specifically designed to be used on steel and, where necessary, extra-fine steel wool.

PLANNING NOTES

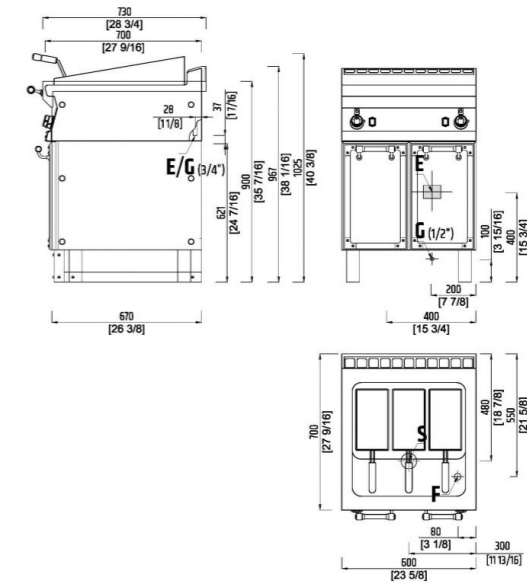
(i) The supply line must be equipped with an approved external gas shut-off valve located near the range in an accessible location. Do not block access to the shut-off valve. (ii) The unit is supplied with a gas regulator for each gas connection, the regulator(s) must be installed under or behind the cabinets adjacent to the Range and never behind or under the range it self. Not doing this will void the product warranty. (iii) If the range is installed between wood cabinet, those must be on legs so that the proper ventilation and air flow is available to the range. (iv) Locate the electrical supply flush with the wall or floor and within the area shown in the illustration. (v) Gas location shown only represents actual connection on the appliance.

INSTALLATION SCHEME



NOTE: (i) Shaded area above countertop indicates minimum clearance to combustible surfaces, combustible materials cannot be located within this area. (ii) The furniture that is next to the range cooker must not be placed on the floor but must be lifted by means of feet to allow for aeration.

DETAILS



TECHNICAL INFO

WIDTH	23 5/8" in
DEPTH	28 3/4" in
HEIGHT	35 7/16" in
MAXIMUM AMP USAGE	0.1 A
PLUG TYPE	Hard wired no cable supplied. Dedicated circuit required./Nessun cavo fornito in dotazione. Circuito dedicato richiesto.