

70

ESSENTIAL SERIES

LAS4

ELEMENTO DI COTTURA STANDARD
STANDARD COOKING ELEMENT

OFFICINE GULLO
DESIGN

LAVELLO 40 CM



DESCRIZIONE DESCRIPTION

Thick stainless steel sink, brushed and welded into the countertop. Equipped with overflow for water drainage, brass faucet/mixer tap.

CARATTERISTICHE FEATURES

Costruzione Construction

Fabricated using CrNi 18/10 AISI 304 grade Stainless Steel Scotch-Brite, incorporating 2mm thick worktop, rounded edges, rear splash back.

Pulizia Cleaning

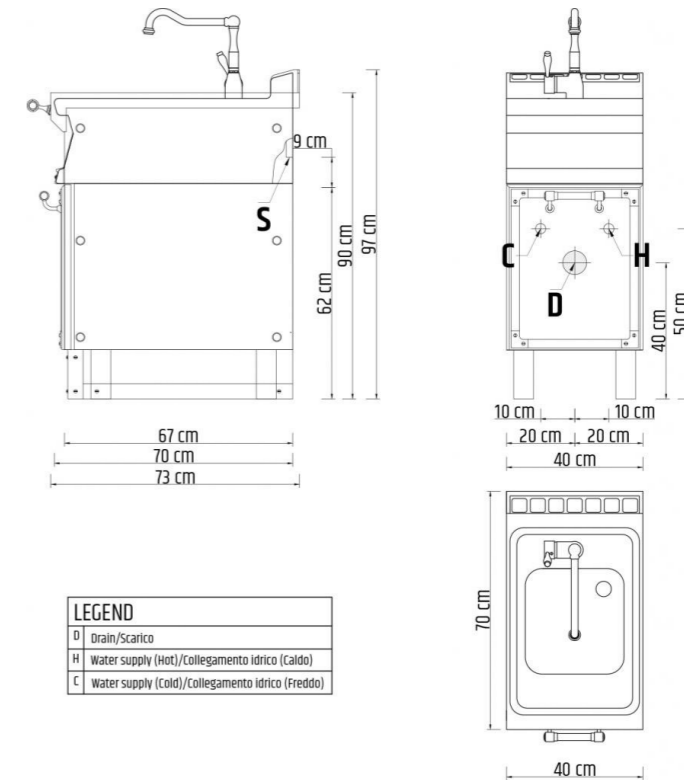
All the brushed steel surfaces should be cleaned using degreasing products or products specifically designed to be used on steel and, where necessary, extra-fine steel wool.

PRECAUZIONI DI MONTAGGIO PLANNING NOTES

SCHEMA INSTALLAZIONE INSTALLATION SCHEME

N.B.:
NOTE:

DETTAGLI DETAILS



DATI TECNICI TECHNICAL INFO

LARGHEZZA - WIDTH	400 mm
PROFONDITÀ - DEPTH	730 mm