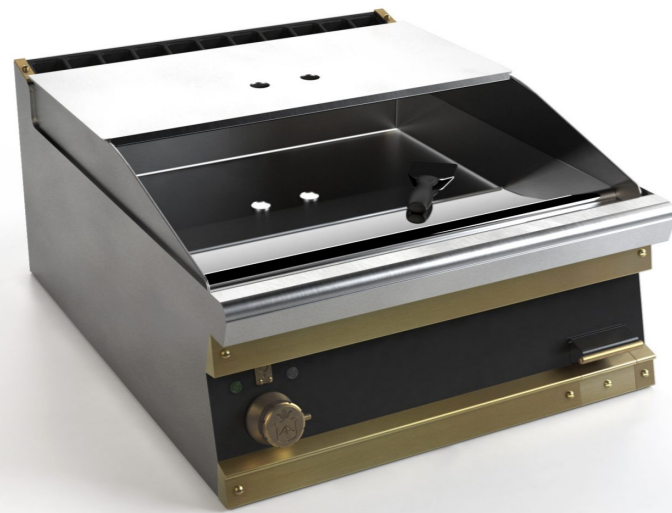


ELECTRIC SMOOTH GRIDDLE 60 CM



DESCRIPTION

The smooth griddle is a chrome-plated hot plate for domestic and professional use, made of heavy-gauge polished FE510C stainless steel to prevent food from sticking. Equipped with lid and drip-tray to collect cooking juices. The fry top surface, electric-heated, can also be used to sauté food without added fat. High durability and rapid heat up from 50° to 300°C control.

FEATURES

Construction

Fabricated using CrNi 18/10 AISI 304 grade Stainless Steel Scotch-Brite, incorporating 2mm thick worktop, rounded edges, rear splash back.

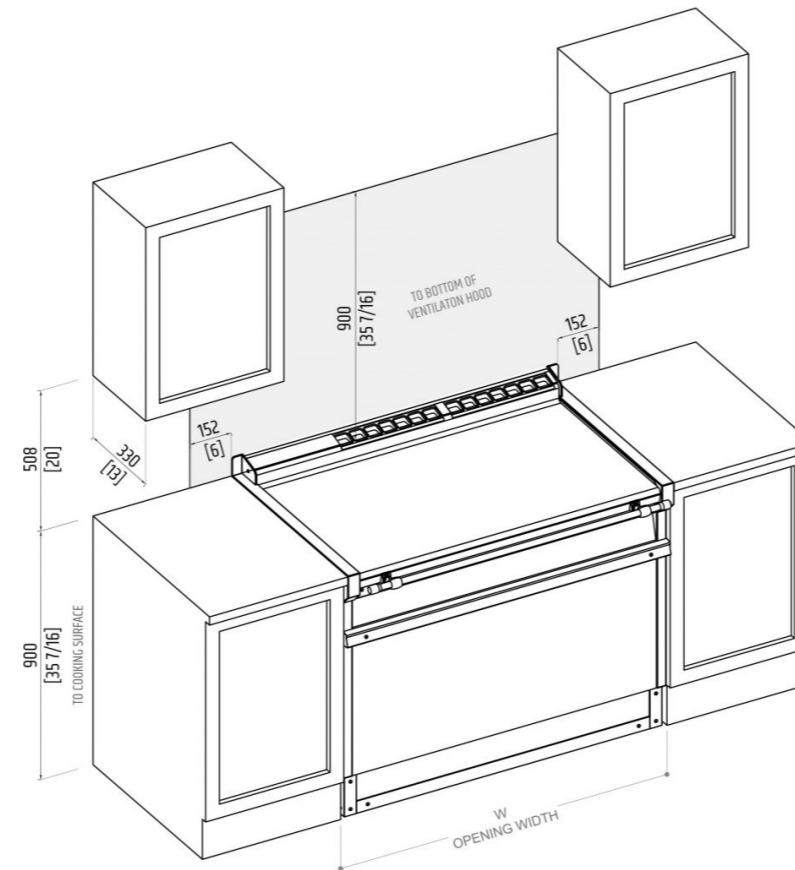
Cleaning

It is easy and fast to clean after use: all you have to do is wipe the warm surface with a solution of water and vinegar.

PLANNING NOTES

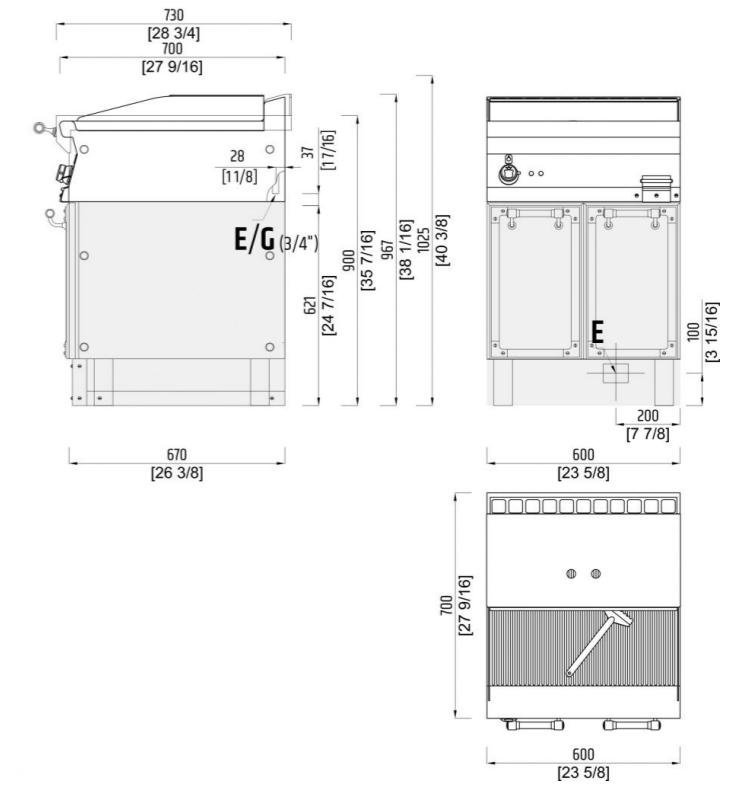
(i) If the range is installed between wood cabinet, those must be on legs so that the proper ventilation and air flow is available to the range. (ii) Locate the electrical supply flush with the wall or floor and within the area shown in the illustration.

INSTALLATION SCHEME



NOTE: (i) Shaded area above countertop indicates minimum clearance to combustible surfaces, combustible materials cannot be located within this area. (ii) The furniture that is next to the range cooker must not be placed on the floor but must be lifted by means of feet to allow for aeration.

DETAILS



TECHNICAL INFO

WIDTH	23 5/8" in
DEPTH	28 3/4" in
MAXIMUM AMP USAGE	32.2 A
PLUG TYPE	Hard wired no cable supplied. Dedicated circuit required.